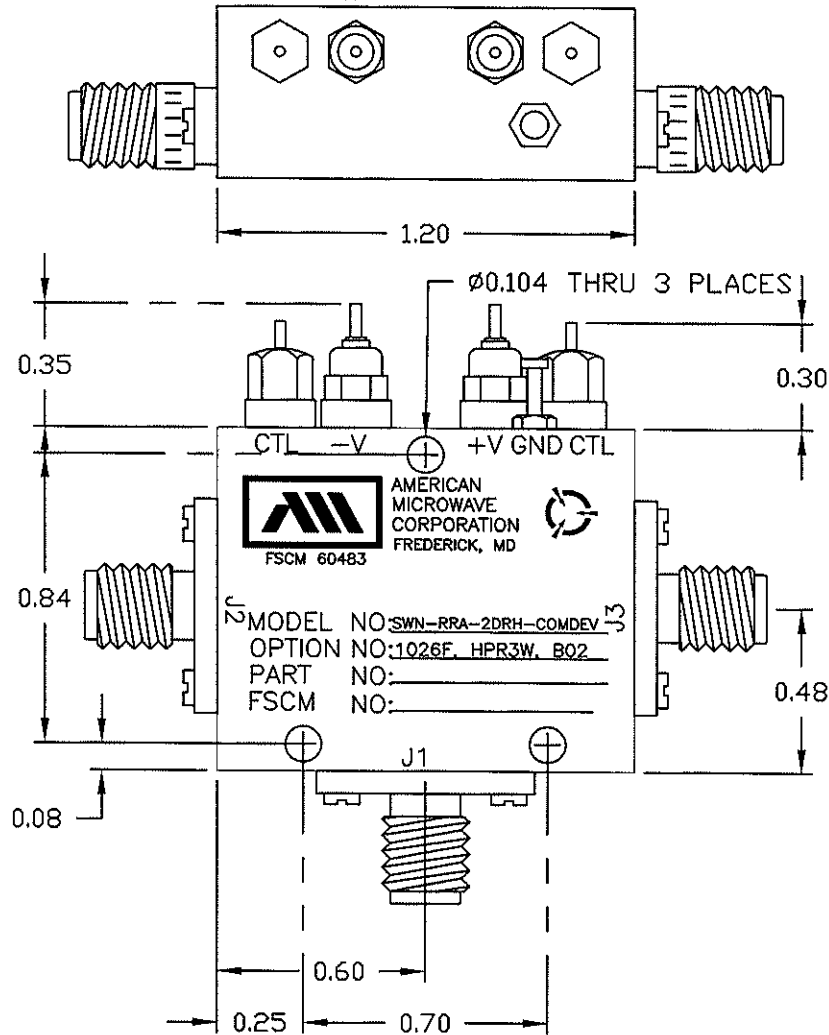


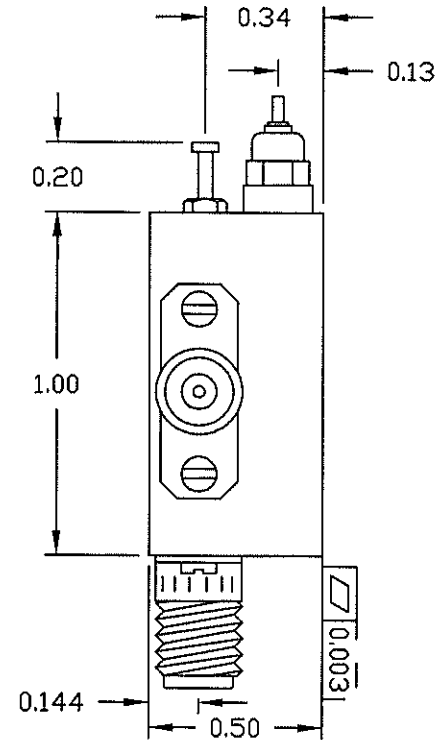
DESCRIPTION:

AMC MODEL SWN-RRA-2DRH-COMDEV IS A SINGLE POLE TWO THROW NARROW BAND REFLECTIVE SWITCH MODULE, DESIGNED FOR THE 1.26 GHz ±30MHz FREQUENCY RANGE. THIS 85 dB ISOLATION SWITCH IS DESIGNED FOR HIGH INPUT POWER.

| REVISIONS | | | | |
|-----------|------|-------------------------------|----------|----------|
| ZONE | REV. | DESCRIPTION | DATE | APPROVED |
| - | - | ORIGINAL RELEASE JOB #711214E | 11/26/07 | |



MECHANICAL OUTLINE



AMERICAN MICROWAVE CORPORATION

7311-G GROVE ROAD
 FREDERICK, MARYLAND 21704 USA
 TEL: 301-662-4700 FAX: 301-662-4938
 WEBSITE: www.americanmicrowavecorp.com
 E-MAIL: sales@americanmicrowavecorp.com
 ISO 9001:2000 CERTIFIED



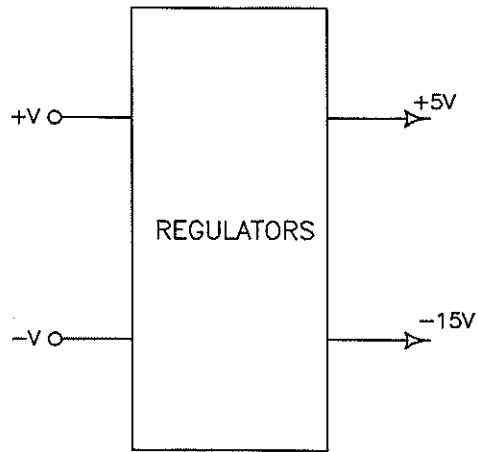
ALL DIMENSIONS ARE IN INCHES
 TOLERANCES:
 X.XX ±0.010
 X.XXX ±0.005

| APPROVALS | | DATE | TITLE | | |
|-----------|-----|----------|----------------------------|--------------|--------------|
| DRAWN | PRB | 11/26/07 | MECHANICAL OUTLINE | | |
| CHECKED | JA | 11/27/07 | SWN-RRA-2DRH-COMDEV | | |
| ISSUED | | | OPTIONS: 1026F, HPR3W, B02 | | |
| SIZE | A | FSCM NO. | 60483 | DWG NO. | 100-6919-001 |
| | | | | REV. | - |
| SCALE N:S | | | | SHEET 2 OF 4 | |

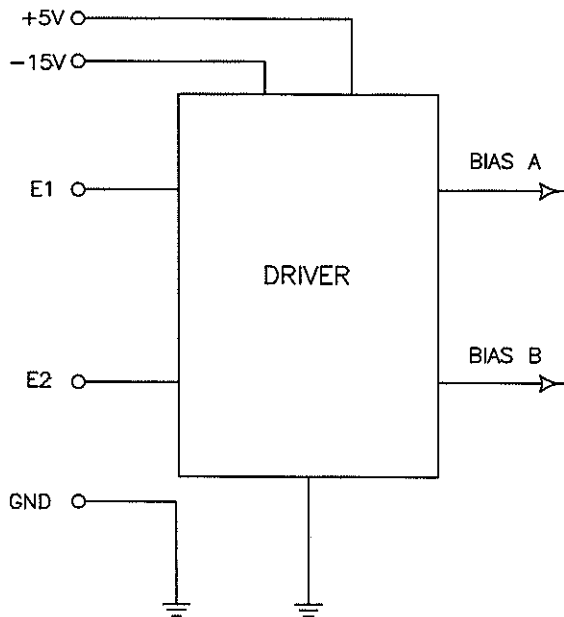
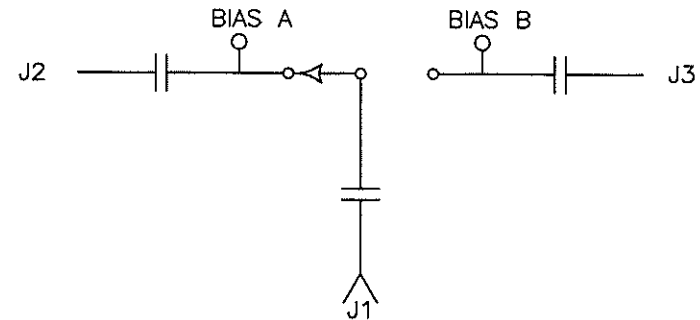
DESCRIPTION:

AMC MODEL SWN-RRA-2DRH-COMDEV IS A SINGLE POLE TWO THROW NARROW BAND REFLECTIVE SWITCH MODULE, DESIGNED FOR THE 1.26 GHz \pm 30MHz FREQUENCY RANGE. THIS 85 dB ISOLATION SWITCH IS DESIGNED FOR HIGH INPUT POWER.

| REVISIONS | | | | |
|-----------|------|-------------------------------|----------|----------|
| ZONE | REV. | DESCRIPTION | DATE | APPROVED |
| | - | ORIGINAL RELEASE JOB #711214E | 11/26/07 | |



FUNCTIONAL SCHEMATIC DIAGRAM



AMERICAN MICROWAVE CORPORATION
 7311-G GROVE ROAD
 FREDERICK, MARYLAND 21704 USA
 TEL: 301-662-4700 FAX: 301-662-4938
 WEBSITE: www.americanmicrowavecorp.com
 E-MAIL: sales@americanmicrowavecorp.com
 ISO 9001:2000 CERTIFIED



| APPROVALS | | DATE | TITLE | | | |
|-------------------|--|----------|---|-------------------|-------------------------|-----------|
| DRAWN <i>PRB</i> | | 11/26/07 | FUNCTIONAL BLOCK DIAGRAM SWN-RRA-2DRH-COMDEV OPTIONS: 1026F, HPR3W, B02 | | | |
| CHECKED <i>PA</i> | | 11/27/07 | SIZE A | FSCM NO. 60483 | DWG NO. 100-6919-001 | REV. - |
| ISSUED | | | SCALE N:S | | SHEET 3 OF 4 | |